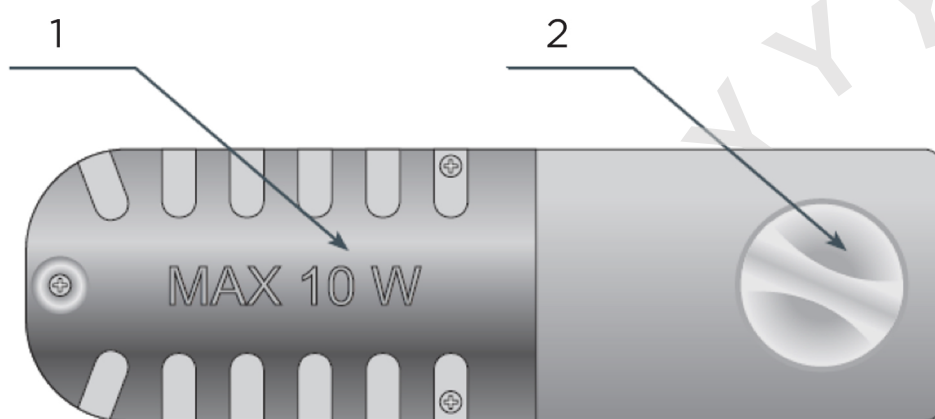




Guidelines for the refrigerator

Device control (inside, on the right side of the refrigerator)



- 1. Light source
- 2. Thermostat

Temperature control inside the device

Controller repositioning results in change of temperature within the device.

Position OFF/0

The device is off

Position 1

The highest temperature of the device
(it is warmer inside)

Position 2-6

Average temperature of the device

Position 7

The lowest temperature of the device
(it is colder inside)