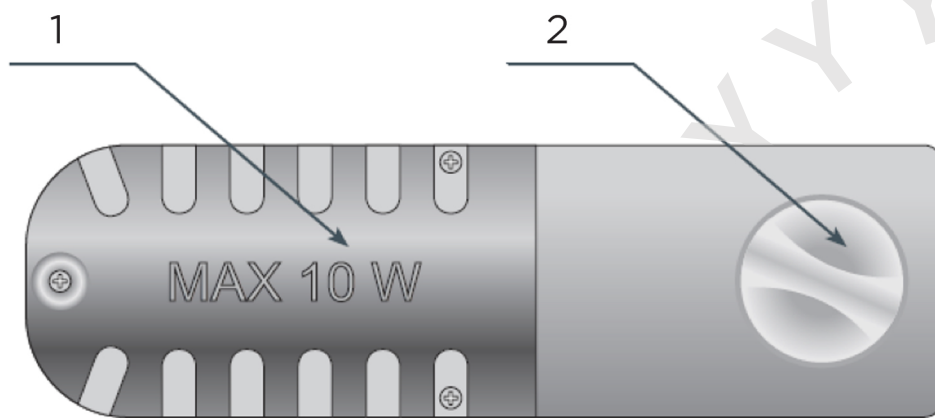




Guidelines for the refrigerator

Device control (inside, on the right side of the refrigerator)



1. Light source
2. Thermostat

Temperature control inside the device

Controller repositioning results in change of temperature within the device.

Position OFF/0

The device is off

Position 1

The highest temperature of the device
(it is warmer inside)

Position 2-6

Average temperature of the device

Position 7

The lowest temperature of the device
(it is colder inside)