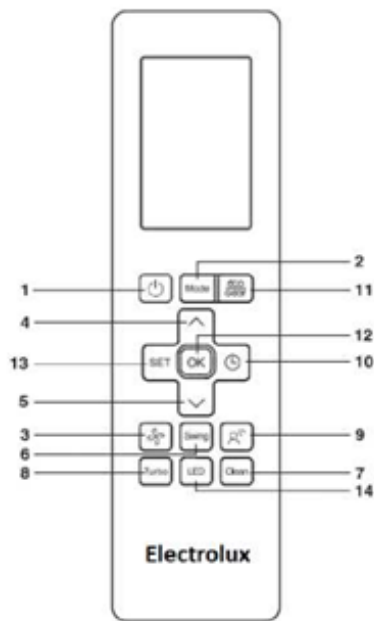




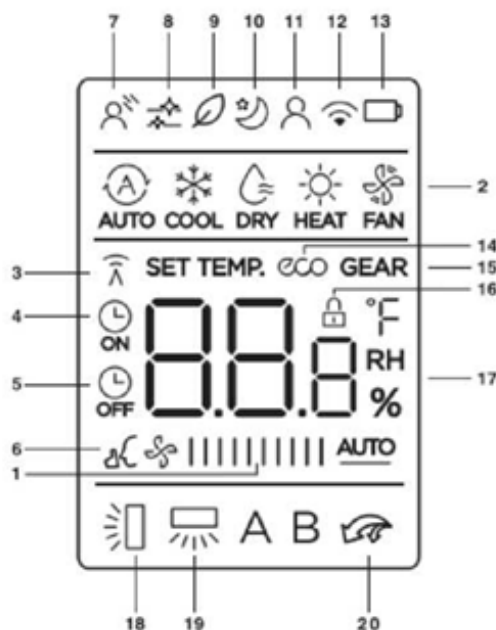
Instructions for the air conditioner Electrolux

Remote Control



1. ON/OFF button: turn on/off.
2. MODE button: select the operating mode: Auto – Cooling – Dehumidification – Heating – Ventilation.
3. FAN button: select the fan rotation speed.
4. ▲ button: increase temperature.
5. ▼ button: reduce temperature.
6. Swing button: adjust the airflow direction.
7. CLEAN button: activate self-cleaning of the indoor unit.
8. TURBO button: activate the heavy-duty mode.
9. BREEZE AWAY button: a function to avoid direct airflow.
10. TIMER ON button: activate the turn-on timer,
11. ECO/GEAR button: switch to the energy-saving mode.
12. OK button: confirm the function selected.
13. SET button: select function.
14. LED button: turn on the LED display on the indoor unit.

Indicators on the remote control display



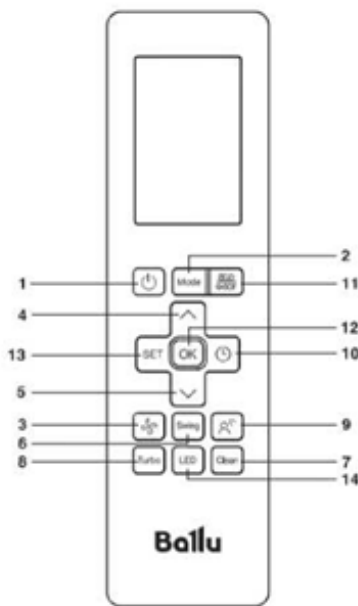
1. Fan rotation speed;
2. Current operating mode;
3. Signal transmission indication;
4. Timer activation indication;
5. Timer deactivation indication;
6. Silent Mode operation indicator;
7. BREEZE AWAY mode indicator;
8. CLEAN mode operation indicator;
9. FRESH* mode indicator;
10. Night mode operation indicator;
11. FOLLOW ME mode indicator;
12. Wireless control function indicator;
13. Low battery indicator;
14. ECO mode operation indicator;
15. GEAR mode operation indicator;
16. Lock function indicator;
17. Set temperature/timer/fan rotation speed indication;
18. Horizontal louvers operation indication;
19. Vertical louvers operation indication;
20. TURBO mode operation indication.

PLEASE TURN OFF THE AIR CONDITIONER BEFORE LEAVING THE APARTMENT



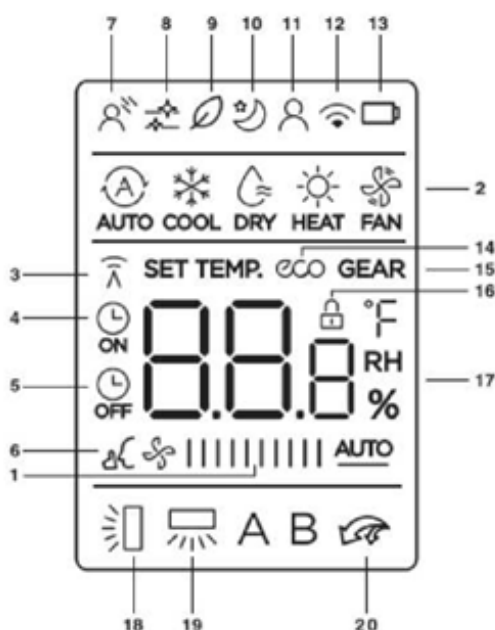
Instructions for the air conditioner Ballu

Remote Control



1. ON/OFF button: turn on/off.
2. MODE button: select the operating mode: Auto – Cooling – Dehumidification – Heating – Ventilation.
3. FAN button: select the fan rotation speed.
4. ▲ button: increase temperature.
5. ▼ button: reduce temperature.
6. Swing button: adjust the airflow direction.
7. CLEAN button: activate self-cleaning of the indoor unit.
8. TURBO button: activate the heavy-duty mode.
9. BREEZE AWAY button: a function to avoid direct airflow.
10. TIMER ON button: activate the turn-on timer,
11. ECO/GEAR button: switch to the energy-saving mode.
12. OK button: confirm the function selected.
13. SET button: select function.
14. LED button: turn on the LED display on the indoor unit.

Indicators on the remote control display



1. Fan rotation speed;
2. Current operating mode;
3. Signal transmission indication;
4. Timer activation indication;
5. Timer deactivation indication;
6. Silent Mode operation indicator;
7. BREEZE AWAY mode indicator;
8. CLEAN mode operation indicator;
9. FRESH* mode indicator;
10. Night mode operation indicator;
11. FOLLOW ME mode indicator;
12. Wireless control function indicator;
13. Low battery indicator;
14. ECO mode operation indicator;
15. GEAR mode operation indicator;
16. Lock function indicator;
17. Set temperature/timer/fan rotation speed indication;
18. Horizontal louvers operation indication;
19. Vertical louvers operation indication;
20. TURBO mode operation indication.

PLEASE TURN OFF THE AIR CONDITIONER BEFORE LEAVING THE APARTMENT